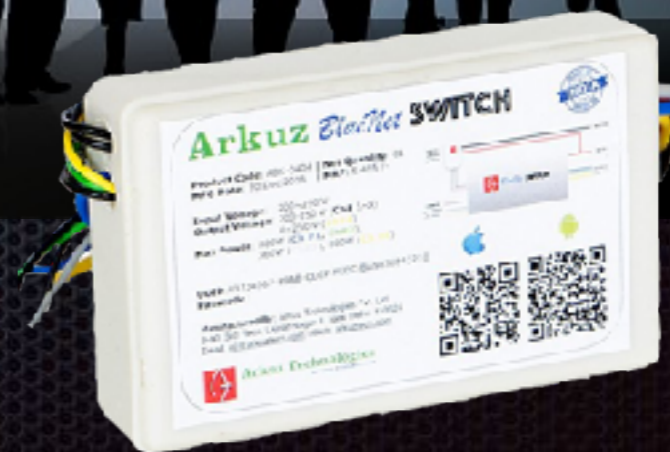




Arkuz BlueNet Switch Device Installation Guide



Contents

- Arkuz BlueNet Device Product Contents.
- Typical Switchboard Panel Connections
- Connecting Arkuz BlueNet Switch to your Switchboard Panel
- Your Switchboard connections when powered by Arkuz BlueNet Switch



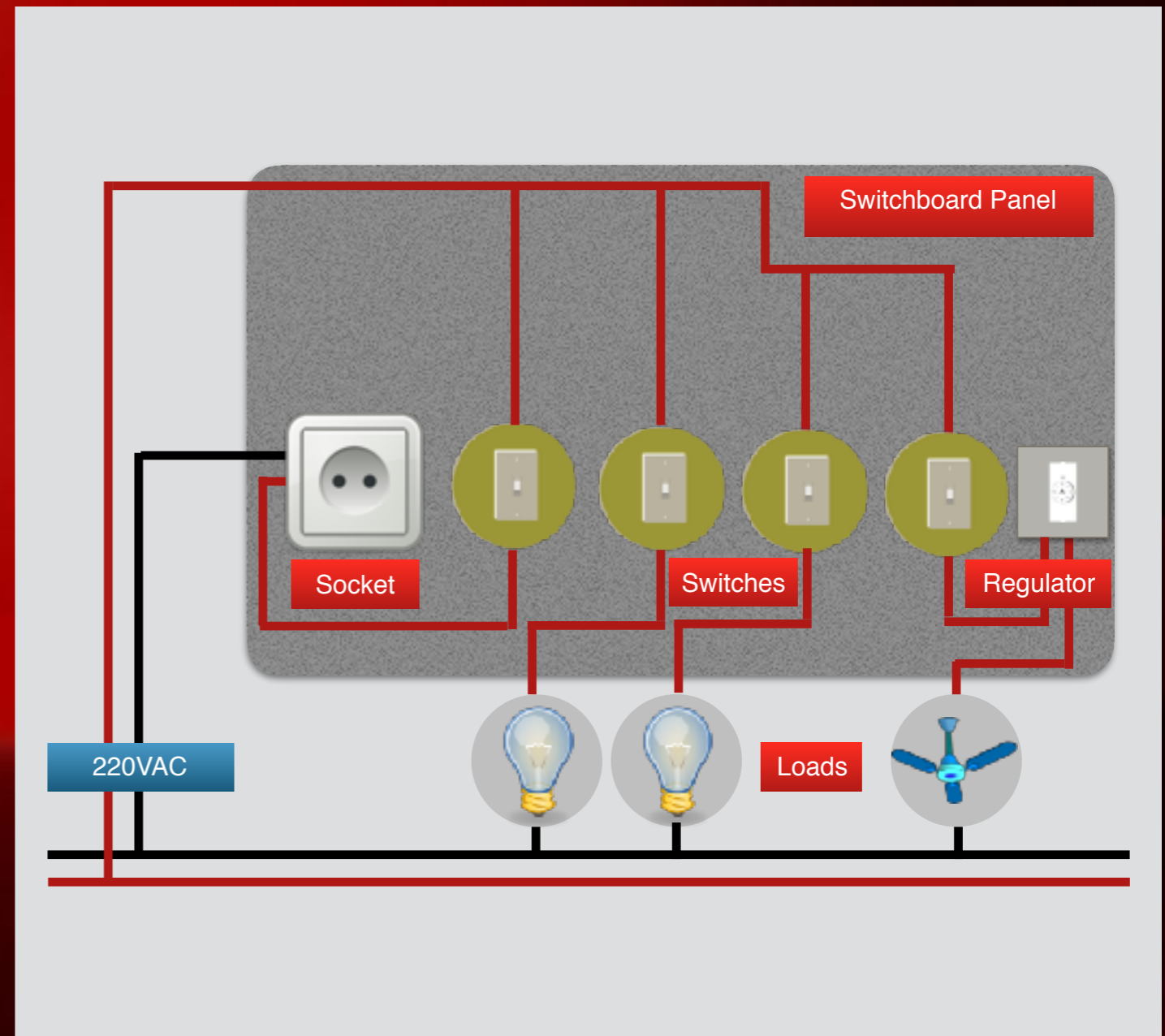
Arkuz BlueNet Switch Product Content

- Arkuz Power Supply Module.
 - The power supply module has 2 sets of wire coming out of it. The set of 2 wires with RED colour is Input to the power supply module. The set of 2 Yellow wires is output of the power supply.
- Arkuz BlueNet Switch Module.
 - The BlueNet Switch has 3 sets of wires coming out of it.
 - Set 1: Black & Red Wire with a knot are INPUT to power up the BlueNet Switch.
 - Set 2: 5 thin multi-coloured wires are INPUT to BlueNet Switch to signal an operation on the wall switch on the switchboard.
 - Set 3: 5 thick multi-coloured wires. BLACK wire is Phase INPUT and the other 4 multi-coloured are Phase OUTPUT for each load.



Typical Switchboard Panel Connections

- ✦ MAINS & NEUTRAL 220 Volt AC lines.
- ✦ Switches connect Input Current to various Loads.
- ✦ Fan uses Regulator for speed control.



Connecting Arkuz BlueNet Switch to your Switchboard Panel

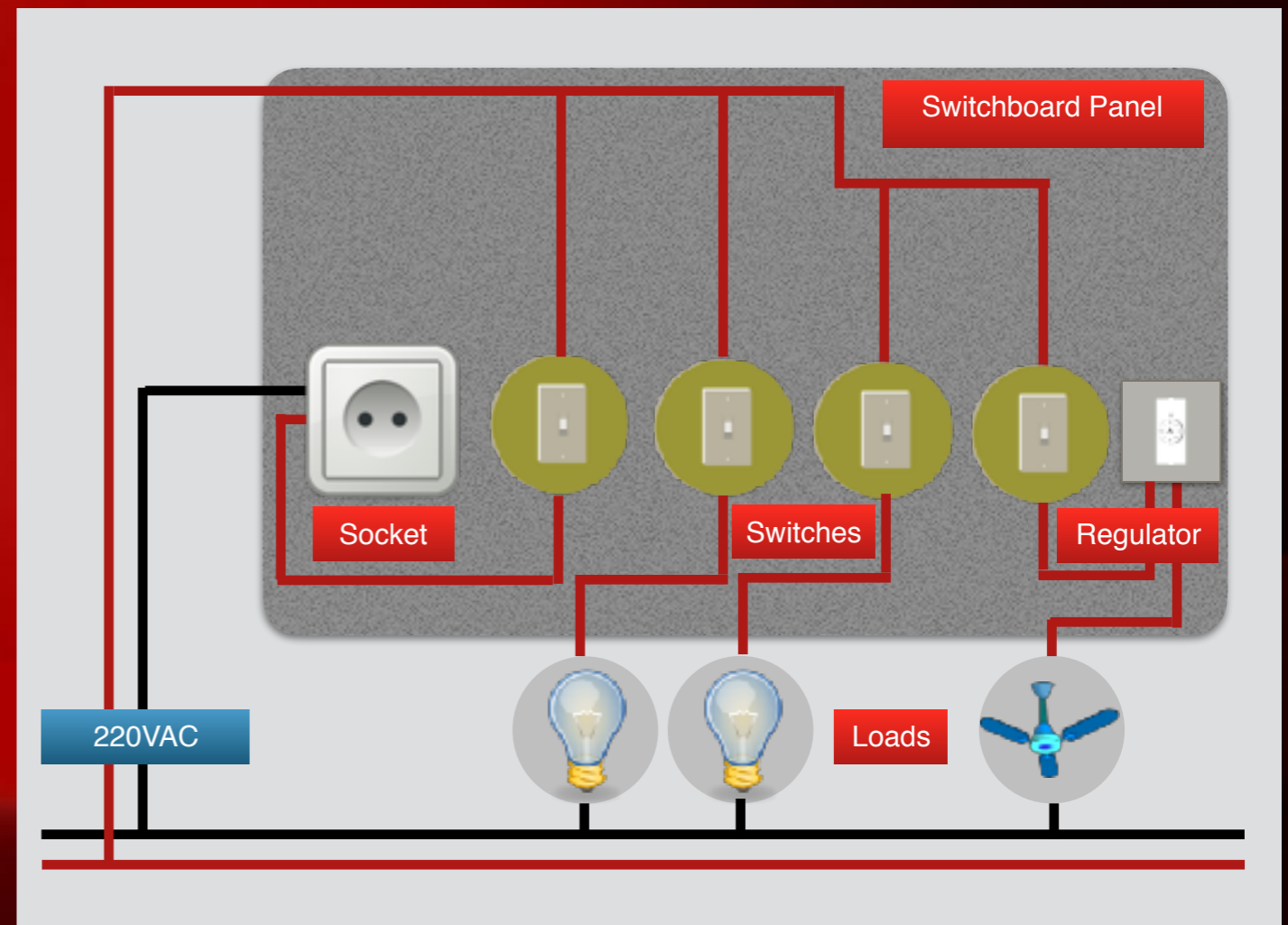
- ✦ Items Required
 - ✦ Arkuz BlueNet Switch
 - ✦ Screw Driver
 - ✦ Electric Wire
 - ✦ Duct Tape



Connecting Arkuz BlueNet Switch to your Switchboard Panel

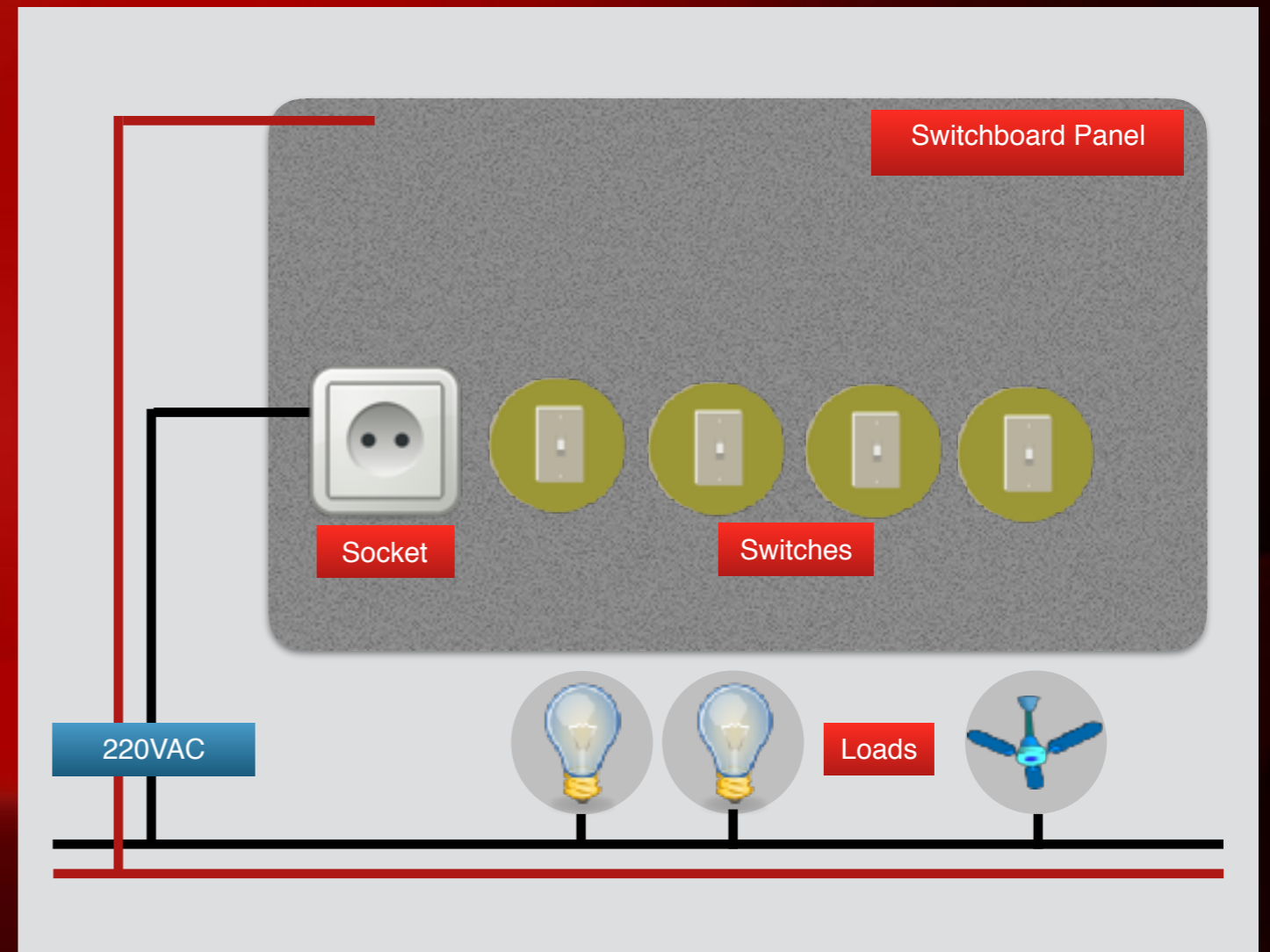
The installation deals with High Voltage AC current hence take at most caution while installing the Arkuz BlueNet Switch. It is highly recommended that any electricity coming to the switchboard panel where the smart light controller is being installed is switched off before starting the installation and be turned back on only after the installation is complete.

- ✦ Step 1
 - ✦ Make sure all power to the the switchboard panel is turned to OFF position.



Connecting Arkuz BlueNet Switch to your Switchboard Panel

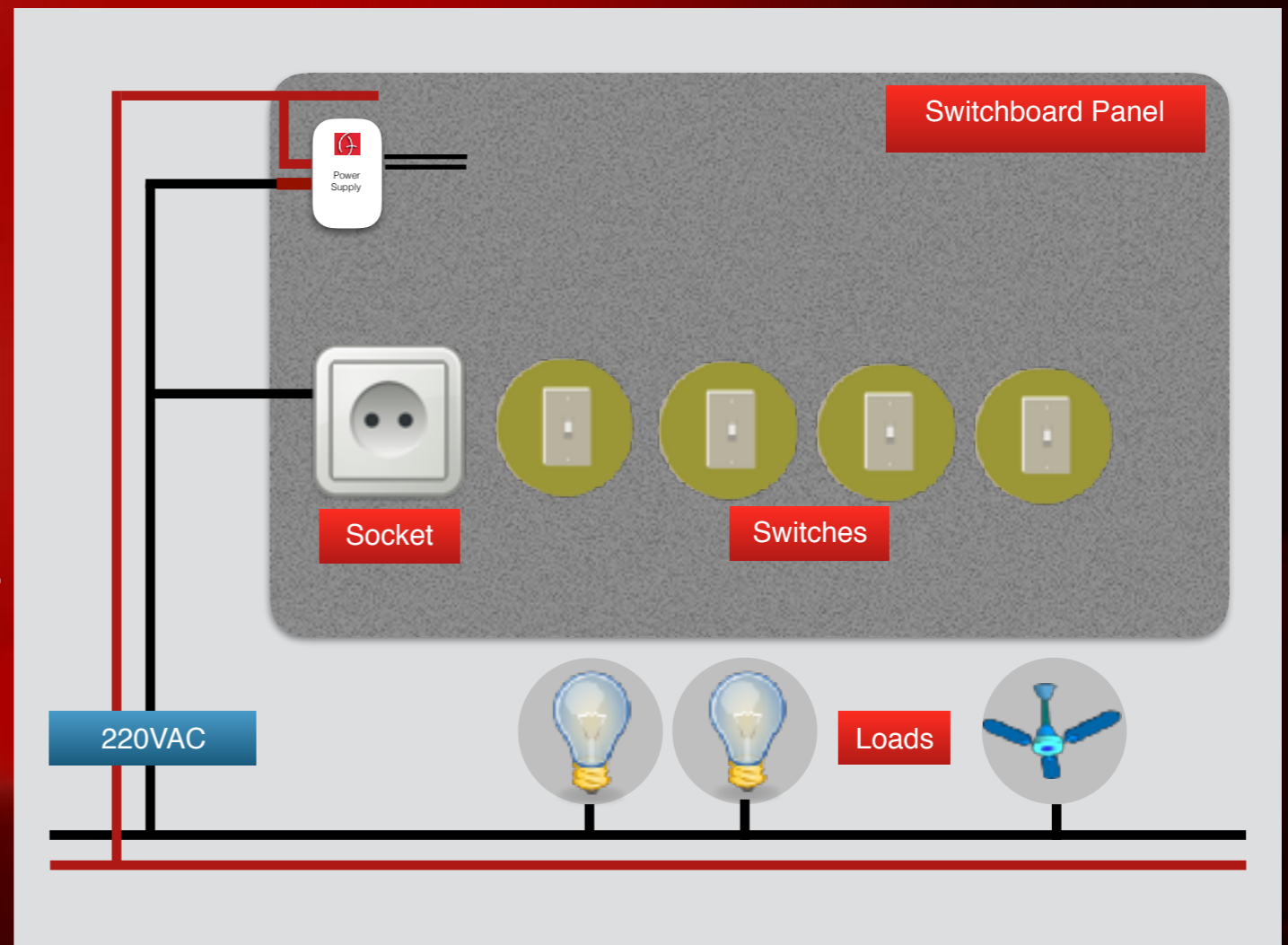
- ✦ Step 2
 - ✦ Disconnect Input & Output Connections to all of the switches.
 - ✦ Disconnect and remove the Fan Regulator.



Connecting Arkuz BlueNet Switch to your Switchboard Panel

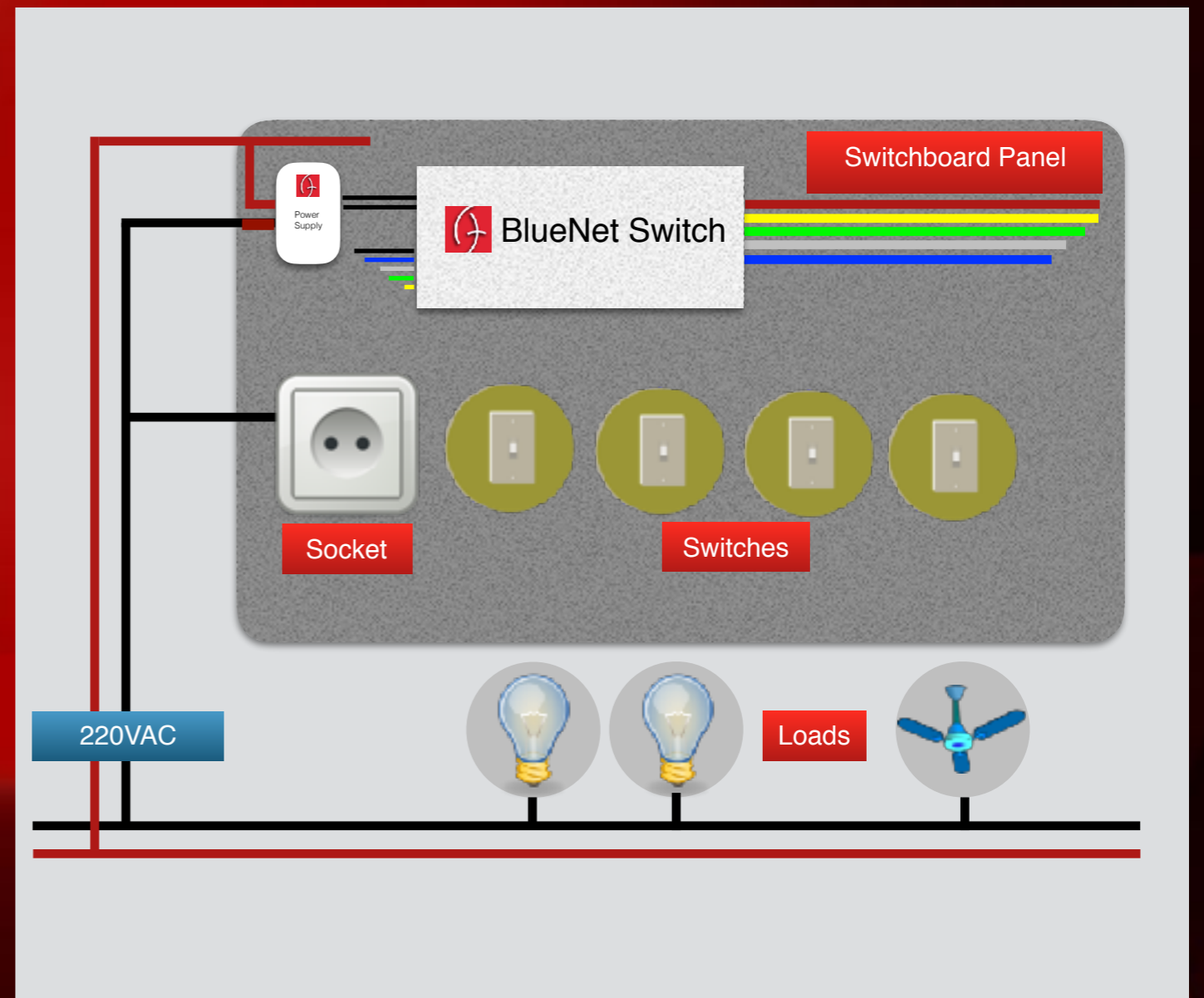
- ✦ Step 3

- ✦ Connect the **RED** set of wires of Arkuz Power Supply with the 220VAC wires.



Connecting Arkuz BlueNet Switch to your Switchboard Panel

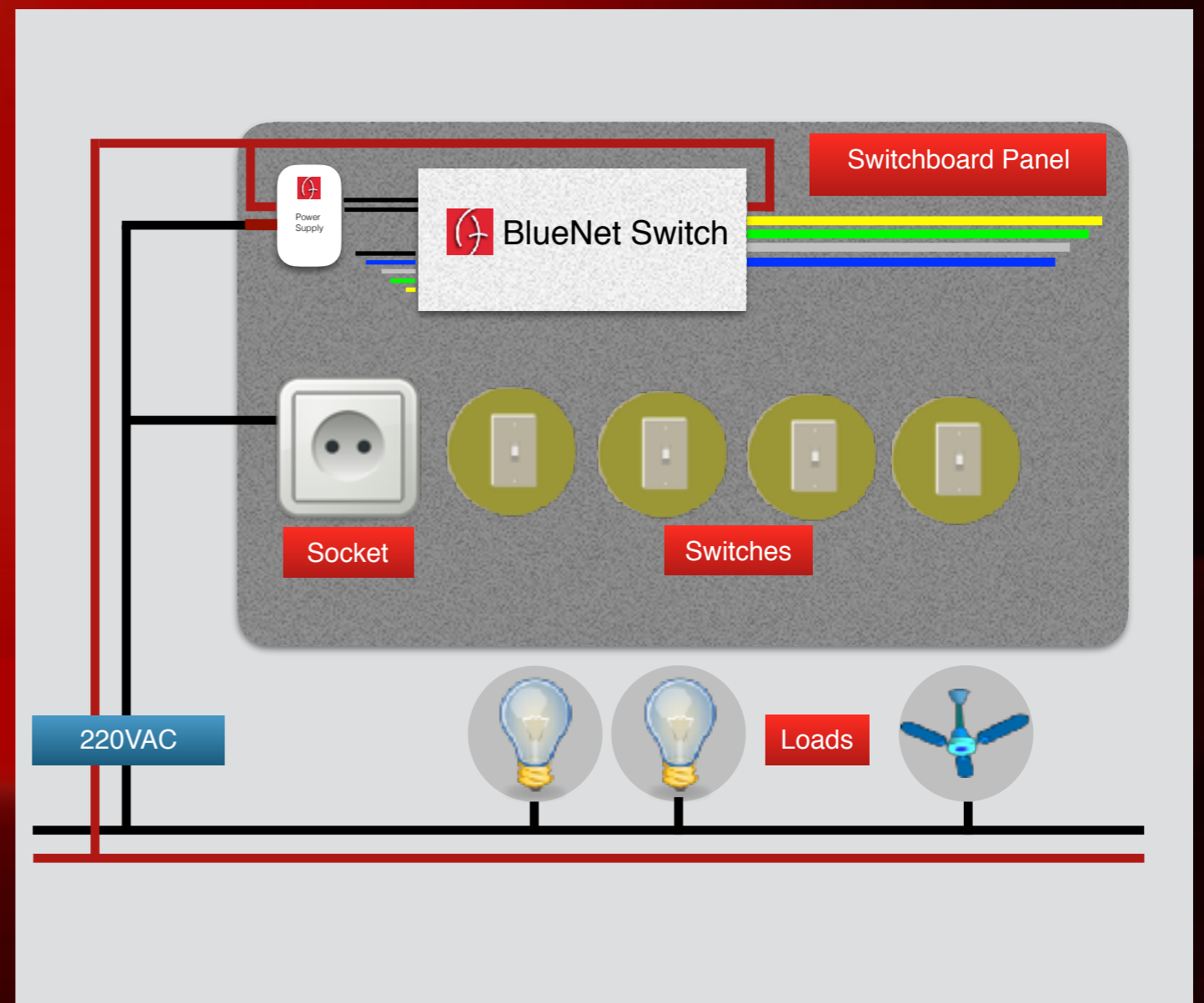
- ✦ Step 4
 - ✦ Connect the **YELLOW** set of wires to the pair of **RED/BLACK** wire set of Arkuz BlueNet Switch module.



Connecting Arkuz BlueNet Switch to your Switchboard Panel

- ✦ Step 5

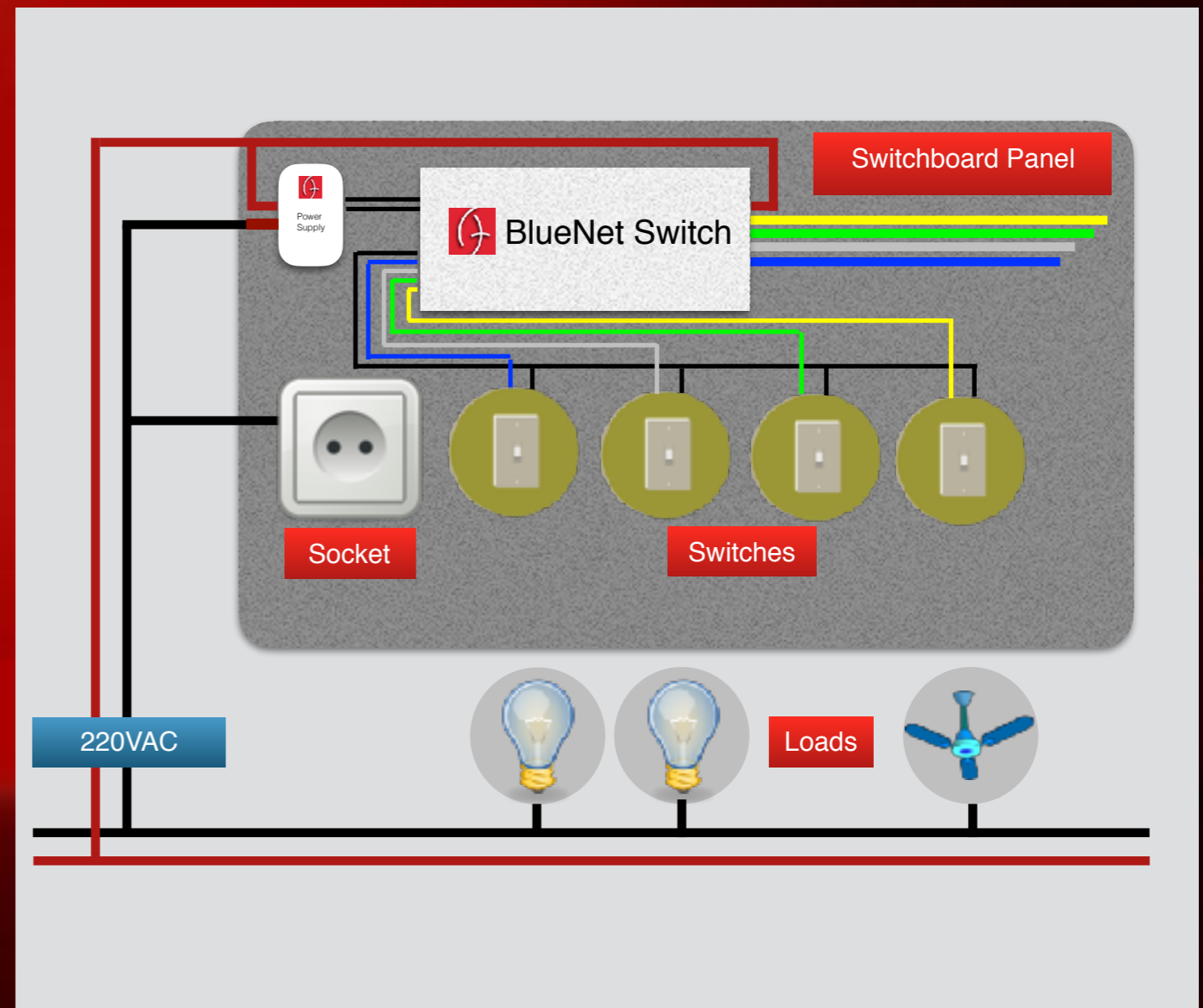
- ✦ Connect the MAINS wire of the 220 Volt AC wires to the **THICK BLACK** wire on the TOP RIGHT of the Arkuz BlueNet Switch.



Connecting Arkuz BlueNet Switch to your Switchboard Panel

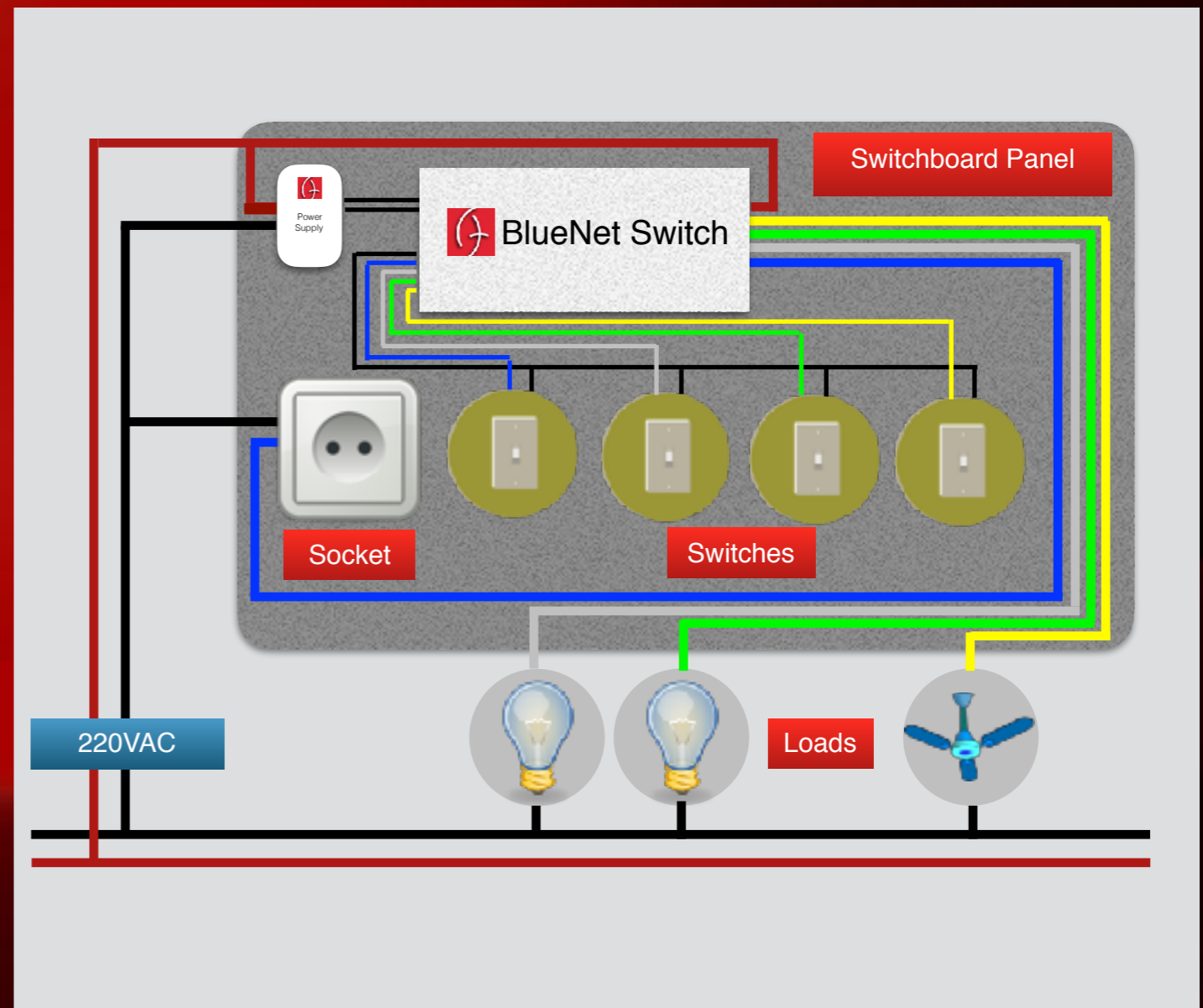
▪ Step 6

- Connect the THIN set of wire on the left left of the Arkuz BlueNet Switch as follows.
 - Connect the **TOP THICK BLACK** wire to one end of every switch.
 - Connect each of the 4 coloured wire to the other end of switch saperately.



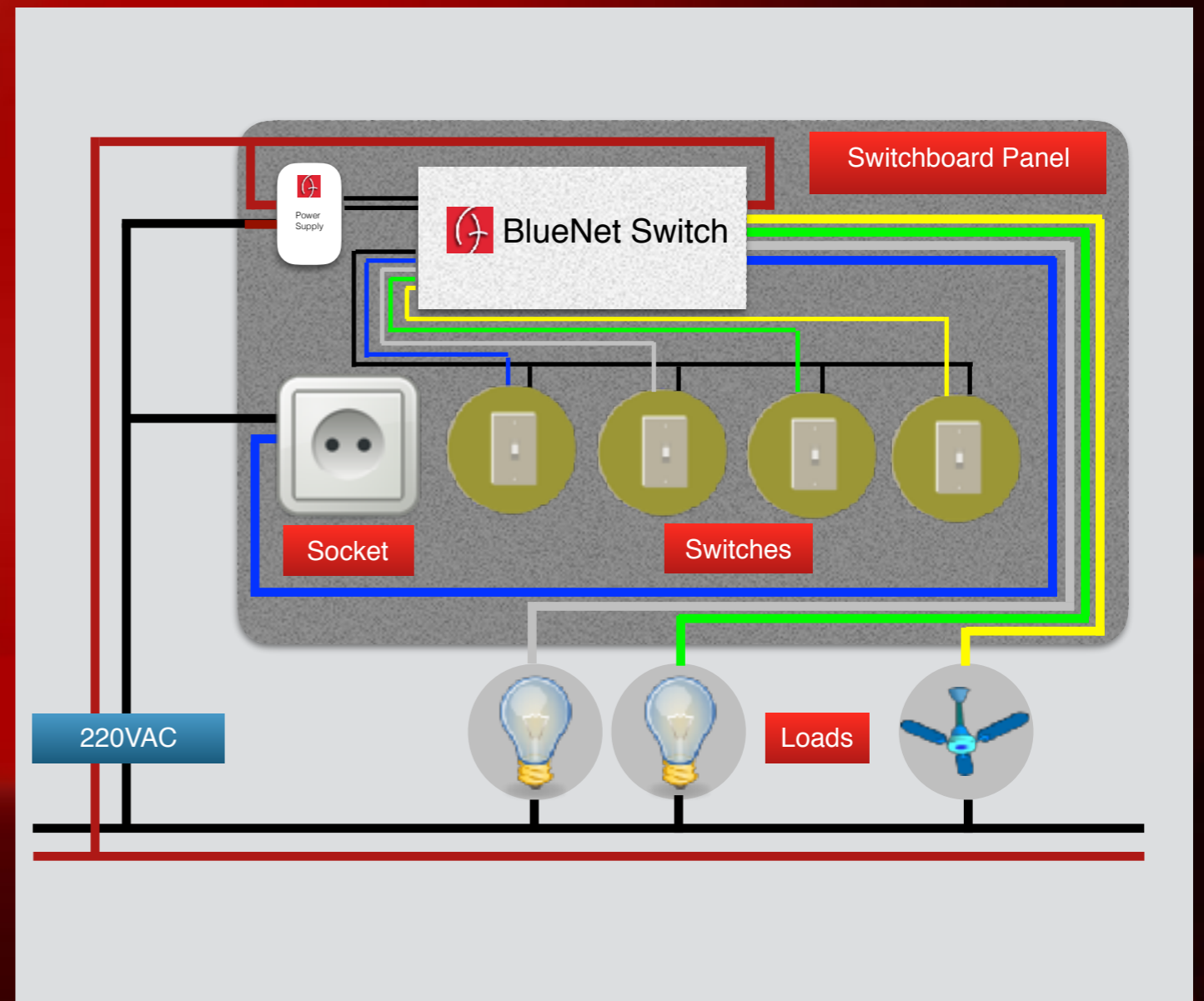
Connecting Arkuz BlueNet Switch to your Switchboard Panel

- Step 7
 - Connect the **4 THICK Multi Coloured** wire on the **RIGHT** of the Arkuz BlueNet Switch to different loads.
 - Make sure that the connection colour corresponds to the thin set of multi colour wire connected to the switches.

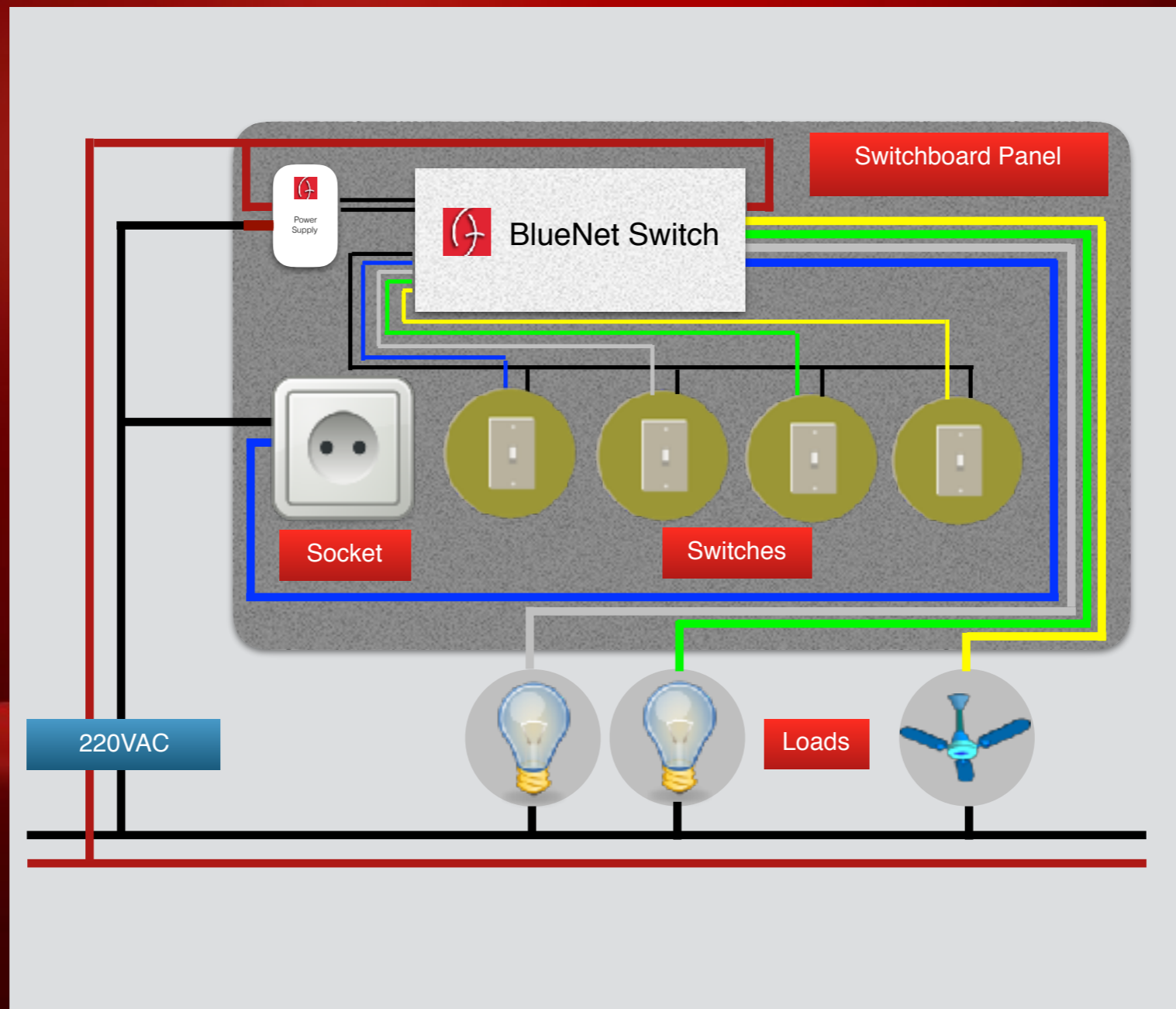


Connecting Arkuz BlueNet Switch to your Switchboard Panel

- ✦ Step 8
 - ✦ Installation is complete.
 - ✦ Turn the power on the switchboard panel.
 - ✦ Operate the switches. They should turn the same way as before.



Your Switchboard connections when powered by Arkuz BlueNet Switch





Arkuz Technologies

BEYOND POSSIBILITIES